



SUPER ERECTA SHELF® POST-TYPE AND DIRECT WALL MOUNTS

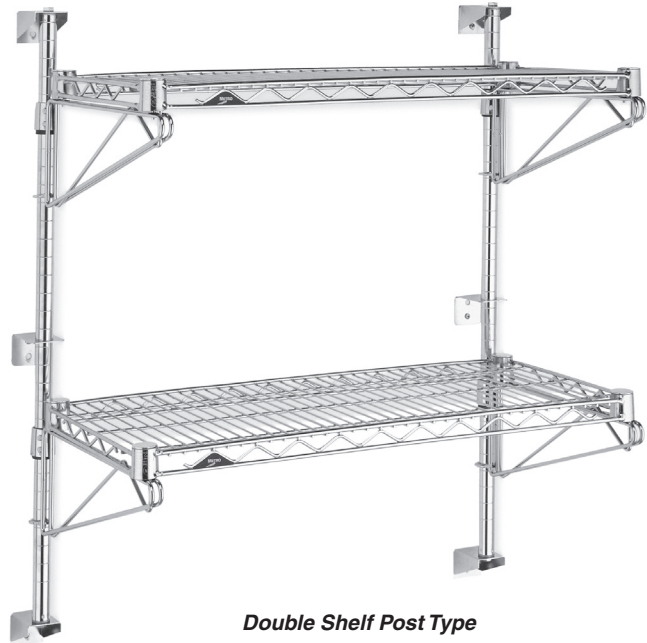
- **Ideal for Storing** items conveniently overhead or above work surfaces.
- **Versatile:** Can accommodate Super Erecta wire and solid shelves, Super Erecta Pro, MetroMax Q, and MetroMax i shelves.
Note: For MetroMax i shelves, order (1) M9997-4 adapter kit per shelf.
- **Single and Double Supports:** Double support used for mounting adjacent shelves; single supports at the ends of the shelving tier. Available in nickel chrome, Metroseal 3 or Type 304 stainless steel.

Post-Type Mounts

- **Versatile:** Metro's post-type mounting system can meet your exact needs for wall shelving. Posts and supports are available to hold anything from a single small shelf to many tiers of shelving running continuously along a wall.
- **Fast, Secure Assembly:** Post has rolled, circular grooves along its entire height at 1" (25mm) intervals. Tapered, plastic split-sleeve locks around any groove, and matching taper in opening on shelf support provides secure positioning.
- **Adjustable:** Shelf supports and shelves can be positioned or repositioned on the post in 1" (25mm) increments.
- **For Easy Ordering:** "End Unit" and "Mid Unit" models are available to meet a wide range of wall-shelving requirements. Just add shelves.

Direct Mounts

- **Convenient, single storage level.**
- **Two-Piece:** Support is held by mounting plate, which attaches directly to the wall.
- **Conserve Space:** Back of shelf is within a fraction of an inch from the wall.



Double Shelf Post Type



Direct Mount



Single



Double



SUPER ERECTA SHELF® POST-TYPE AND DIRECT WALL MOUNTS



Post Type Wall Mounts — Preconfigured Models. Just add shelves.

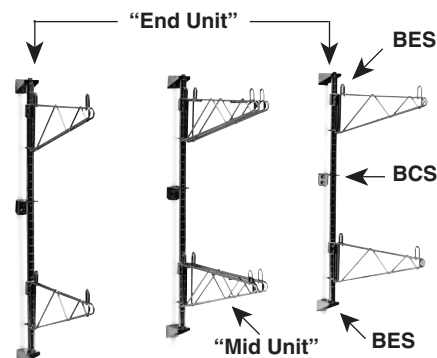
Post-type wall mounts are available in preconfigured “End Units” and “Mid Units,” complete with all needed components except wall bolts or screws, which must be selected according to type of wall.* Components are chrome-plated.

“End Unit” consists of two posts with brackets, and two single supports for each shelf.

“Mid Unit” consists of one post with brackets and a double support for each tier.

Guide

Single unit	(1) End Unit	—
Two units connected end-to-end	(1) End Unit	(1) Mid Unit
Three units connected end-to-end	(1) End Unit	(2) Mid Units
Four units connected end-to-end	(1) End Unit	(3) Mid Units
Five units connected end-to-end	(1) End Unit	(4) Mid Units



Number of Tiers	Post Number	Model No. 14" (460mm) Shelf Width		Model No. 18" (457mm) Shelf Width		Model No. 21" (533mm) Shelf Width		Model No. 24" (610mm) Shelf Width	
		End Unit	Mid Unit	End Unit	Mid Unit	End Unit	Mid Unit	End Unit	Mid Unit
1 Shelf	13PDF	SW21C	AW21C	SW31C	AW31C	SW41C	AW41C	SW51C	AW51C
2 Shelf	33PDF	SW23C	AW23C	SW33C	AW33C	SW43C	AW43C	SW53C	AW53C
3 Shelf	54PDF	SW25C	AW25C	SW35C	AW35C	SW45C	AW45C	SW55C	AW55C
4 Shelf	63PDF	SW26C	AW26C	SW36C	AW36C	SW46C	AW46C	SW56C	AW56C

Order shelves from sheets #10.01, 10.20, 10.80, 9.20, 9.21. For MetroMax i shelves, order one M9997-4 adapter kit per shelf.

Posts & Brackets

Post Height (in.)	Post Height (mm)	Description	Model No. Plated	Model No. Metroseal 3	Model No. Stainless	Approx. Pkd. Wt. (lbs.) (kg)	
13 ⁷ / ₈	350	Post for 1 tier	13PDF	13PDFK3	13PDFS	1.25	0.6
33 ⁵ / ₈	854	Post for 2 tiers	33PDF	33PDFK3	33PDFS	2.75	1.2
54	1370	Post for 3 or more tiers	54PDF	54PDFK3	54PDFS	5.0	2.3
62	1573	Post for 4 or more tiers	63PDF	63PDFK3	63PDFS	6.0	2.7
		End Bracket	BES	BESK3	SBES	0.5	0.2
		Intermediate Bracket	BCS	BCSK3	SBCS	0.5	0.2

To Order By Components

Posts & Brackets — Two end brackets (BES), are supplied with each of these double-footed posts. One intermediate bracket (BCS) is supplied with 33PDF posts and two are supplied with 54PDF and 63PDF posts.

Posts and brackets can be used to mount 12" (305mm) cantilever shelves (sheet #10.06) rather than shelf supports.

BCS brackets can also be used to attach freestanding shelving to wall.

Shelf Supports — Post Mounting

Shelf Width (in.)	Shelf Width (mm)	SINGLE			DOUBLE		
		Model No. Chrome	Model No. Metroseal 3	Model No. Stainless	Model No. Chrome	Model No. Metroseal 3	Model No. Stainless
14	360	1WS14C	1WS14K3	1WS14S	2WS14C	2WS14K3	2WS14S
18	457	1WS18C	1WS18K3	1WS18S	2WS18C	2WS18K3	2WS18S
21	533	1WS21C	—	1WS21S	2WS21C	—	2WS21S
24	610	1WS24C	1WS24K3	1WS24S	2WS24C	2WS24K3	2WS24S

Order shelves from sheets #10.01, 10.20, 10.80, 9.20, 9.21. For MetroMax i shelves, order one M9997-4 adapter kit per shelf.
Load Rating: 250 lbs. (113kg) per system.

Direct Wall Mounts — Each consists of one shelf support and mounting plate, with two caps. Use single support at shelf ends; double support for adjoining shelves. Select wall bolts or screws according to type of wall.*

*User should determine that wall material and method of mounting are suitable to support the shelves and their contents.

Direct Wall Mounts

Shelf Width (in.)	Shelf Width (mm)	SINGLE			DOUBLE		
		Model No. Chrome	Model No. Metroseal 3	Model No. Stainless	Model No. Chrome	Model No. Metroseal 3	Model No. Stainless
14	360	1WD14C	1WD14K3	1WD14S	2WD14C	2WD14K3	2WD14S
18	457	1WD18C	1WD18K3	1WD18S	2WD18C	2WD18K3	2WD18S
21	533	1WD21C	1WD21K3	1WD21S	2WD21C	2WD21K3	2WD21S
24	610	1WD24C	1WD24K3	1WD24S	2WD24C	2WD24K3	2WD24S

Load Rating: 200 lbs. (91kg) per system.



SUPER ERECTA® WALL MOUNTS



Wall Mounts

An ideal method for storing items overhead or above work surfaces.

- Brackets accommodate all Super Erecta® sizes and types of shelves.
- Use double supports to mount adjacent shelves, single supports at ends.
- Metal caps to cover openings are provided.
- Available in chrome, Metroseal 3 or stainless steel.

Post-Type Wall Mounts

Standard Units

Post-type wall mounts are available in pre-packaged “End Units” and “Mid Units”; complete with all needed components except shelves, wall bolts or screws, which must be selected according to type of wall.

A “End Unit” consists of two posts with wall mounting brackets, and two single shelf supports for each shelf level.

B “Mid Unit” consists of one post with brackets and double support for each shelf.

Note: If shelving is to be the length of one shelf, order End Unit only.

If two-shelf lengths, order one End Unit and one Mid Unit; three lengths, one End and two Mid Units; four lengths, one End and three Mid Units; etc.

For 14" (355mm) Shelf Width

Shelf Levels	Approx. Pkd. Wt.		Cat. No. End Unit	Approx. Pkd. Wt.		Cat. No. Mid Unit
	(lbs.)	(kg)		(lbs.)	(kg)	
1	7	3.2	SW21C	5	2.3	AW21C
2	14	6.4	SW23C	9	4.1	AW23C
3	22	10	SW25C	14	6.4	AW25C
4	28	12.7	SW26C	18	8.2	AW26C

For 18" (457mm) Shelf Width

Shelf Levels	Approx. Pkd. Wt.		Cat. No. End Unit	Approx. Pkd. Wt.		Cat. No. Mid Unit
	(lbs.)	(kg)		(lbs.)	(kg)	
1	7	3.2	SW31C	5	2.3	AW31C
2	14	6.4	SW33C	11	5	AW33C
3	22	10	SW35C	17	8	AW35C
4	28	12.7	SW36C	21	9.5	AW36C

For 21" (530mm) Shelf Width

Shelf Levels	Approx. Pkd. Wt.		Cat. No. End Unit	Approx. Pkd. Wt.		Cat. No. Mid Unit
	(lbs.)	(kg)		(lbs.)	(kg)	
1	8	3.6	SW41C	6	2.7	AW41C
2	16	7.3	SW43C	12	5.5	AW43C
3	25	11.3	SW45C	18	8.2	AW45C
4	32	14.4	SW46C	23	10.4	AW46C

For 24" (610mm) Shelf Width

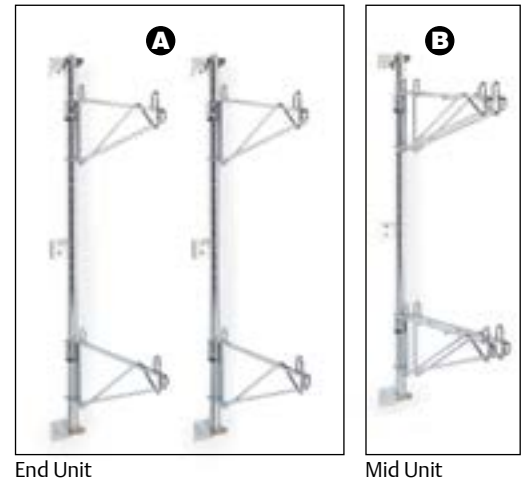
Shelf Levels	Approx. Pkd. Wt.		Cat. No. End Unit	Approx. Pkd. Wt.		Cat. No. Mid Unit
	(lbs.)	(kg)		(lbs.)	(kg)	
1	9	4.1	SW51C	6	2.7	AW51C
2	18	8.2	SW53C	12	5.5	AW53C
3	28	12.7	SW55C	19	9	AW55C
4	36	16	SW56C	24	10.9	AW56C

*Note: User should determine that wall material and method of mounting are suitable to support the shelves and their contents. Mounting hardware not included.



Post-Type Wall Mount Installation
*Shelf supports are chrome-plated.

Post-Type Wall Mounts



End Unit

Mid Unit

Maximum Load Rating: 250 lbs. (113kg) per shelf, not to exceed 250 lbs. (113kg) per unit.

Metro Tip:

Have you looked at your walls lately? Unused wall space provides the perfect opportunity for a significant increase in storage capacity. Metro offers a complete line of wall shelving systems to maximize storage density.

Posts and Brackets

Two end brackets (BES) are supplied with each of these double-footed posts. One intermediate bracket (BCS) is supplied with 33PDF posts and two are supplied with 54PDF and 63PDF posts. Order desired number/style of shelf supports below.

Post Height (in.) (mm)	Description	Approx. Pkd. Wt. (lbs.) (kg)	Cat. No. Chrome	Cat. No. Metroseal 3 with Microban®	Cat. No. Stainless
13 ³ / ₈ 350	Post for 1 tier	1 ¹ / ₄ 0.6	13PDF	13PDFK3	13PDFS
33 ⁵ / ₈ 854	Post for 2 tiers	2 ³ / ₄ 1.2	33PDF	33PDFK3	33PDFS
54 1370	Post for 3 or more tiers	5 2.3	54PDF	54PDFK3	54PDFS
62 1573	Post for 4 or more tiers	6 2.7	63PDF	63PDFK3	63PDFS
	End Bracket	1/2 0.2	BES	BESK3	SBES
	Intermediate Bracket	1/2 0.2	BCS	BCSK3	SBCS

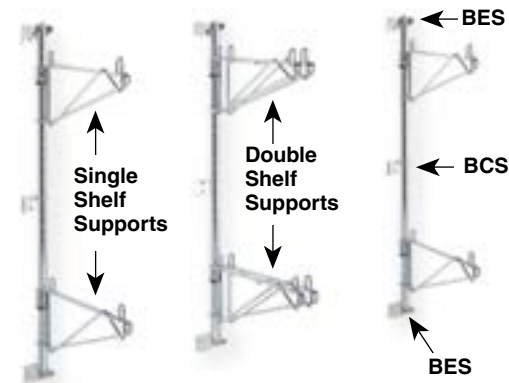
Note: User should determine that wall material and method of mounting are suitable to support the shelves and their contents. Mounting hardware not included. Order shelves from page 42.

Corner Adapters for MetroMax i shelving

Use when joining MetroMax i shelves with wire shelf supports. Box of 4. Use one box per shelf. Cat. No. M9997-4

Corner Adapters for MetroMax 4 shelving

Use when joining MetroMax 4 shelves with wire shelf supports. Box of 4. Use one box per shelf. Cat. No. MAX4-9997-4



Typical configuration using two end units and one mid unit

Maximum Load Rating: 250 lbs. (113kg) per shelf, not to exceed 250 lbs. (113kg) per unit.

Metro Tip:

MetroMax Q, MetroMax 4, and MetroMax i shelves can be used with Super Erecta Post Mounting Shelf Supports and Direct Wall Mounts.

Shelf Supports — Post Mounting

Single — Two required per shelf (one at each end.)

Shelf Width (in.) (mm)	Approx. Pkd. Wt. (lbs.) (kg)	Cat. No. Chrome	Cat. No. Metroseal 3 with Microban®	Cat. No. Stainless
14 355	2 0.9	1WS14C	1WS14K3	1WS14S
18 457	2 0.9	1WS18C	1WS18K3	1WS18S
21 530	2 ¹ / ₂ 1.1	1WS21C	1WS21K3	1WS21S
24 610	3 1.4	1WS24C	1WS24K3	1WS24S

Double — For run of multiple shelves.

Shelf Width (in.) (mm)	Approx. Pkd. Wt. (lbs.) (kg)	Cat. No. Chrome	Cat. No. Metroseal 3 with Microban®	Cat. No. Stainless
14 355	3 1.4	2WS14C	2WS14K3	2WS14S
18 457	3 ³ / ₄ 1.7	2WS18C	2WS18K3	2WS18S
21 530	4 ¹ / ₄ 1.9	2WS21C	2WS21K3	2WS21S
24 610	4 ¹ / ₂ 2.0	2WS24C	2WS24K3	2WS24S

Order shelves from page 42.

Direct Wall Mounts

Each consists of one shelf support and mounting plate, with two shelf collar caps. Use single support at shelf ends; double support for adjoining shelves.

Single — Two required per shelf.

Shelf Width (in.) (mm)	Approx. Pkd. Wt. (lbs.) (kg)	Cat. No. Chrome	Cat. No. Metroseal 3 with Microban®	Cat. No. Stainless
14 355	1 ¹ / ₂ 0.7	1WD14C	1WD14K3	1WD14S
18 457	2 0.9	1WD18C	1WD18K3	1WD18S
21 530	2 0.9	1WD21C	1WD21K3	1WD21S
24 610	2 ¹ / ₄ 1.0	1WD24C	1WD24K3	1WD24S

Double

Shelf Width (in.) (mm)	Approx. Pkd. Wt. (lbs.) (kg)	Cat. No. Chrome	Cat. No. Metroseal 3 with Microban®	Cat. No. Stainless
14 355	3 1.4	2WD14C	2WD14K3	2WD14S
18 457	3 1.4	2WD18C	2WD18K3	2WD18S
21 530	4 1.8	2WD21C	2WD21K3	2WD21S
24 610	4 ¹ / ₂ 2.0	2WD24C	2WD24K3	2WD24S

Note: User should determine that wall material and method of mounting are suitable to support the shelves and their contents.



Single Shelf Support



Double Shelf Support



Hole Plugs — {10.06}

This chrome-plated cover is used to fill shelf-corner openings. Use wherever posts have been eliminated by "S" hooks.

Cat. No. 9997C

✓ Indicates antimicrobial product.

NSF Note: Wall shelving is NSF listed.



Wall Mount Brackets shown with MetroMax i Open Frame and Drop-In Basket.

Direct Wall Mount Shelving

Use standard Super Erecta stainless steel direct wall mount shelf supports with MetroMax shelves or open frames with wire drop in baskets. Order one MetroMax corner adapter kit with each shelf or shelf frame. Shelf supports are sold individually.

Single — Use at shelf ends; two are required for a stand-alone shelf.

Shelf Width		Approx. Pkd. Wt.		Cat. No.
(in.)	(mm)	(lbs.)	(kg)	Stainless Steel
18	457	2	0.9	1WD18S
24	610	2 ¹ / ₄	1.0	1WD24S

Double — When constructing a run of shelves, use double shelf supports to join adjacent shelves.

Shelf Width		Approx. Pkd. Wt.		Cat. No.
(in.)	(mm)	(lbs.)	(kg)	Stainless Steel
18	457	3	1.4	2WD18S
24	610	4 ¹ / ₄	2.0	2WD24S

Corner Adapters for MetroMax i shelving

Use when joining MetroMax i shelves with wire shelf supports. Box of 4. Use one box per shelf. Cat. No. M9997-4

Corner Adapters for MetroMax 4 shelving

Use when joining MetroMax 4 shelves with wire shelf supports. Box of 4. Use one box per shelf. Cat. No. MAX4-9997-4



Wall Mounts with Shelf

Erecta Shelf® Wall Mounts — {10.56}

Used to create wall-mounted shelving units with 12" (305mm) or 18" (457mm) Erecta shelves of any length.

- Models are available to accommodate from one to five shelves. (Each mount consists of two shelf supports and mounting brackets.)
- Wall bolts or screws not included; they must be selected according to type of wall.



12WS12C
Erecta Shelf® Wall Kit

Width		Height		Capacity	Approx. Pkd. Wt. (Pr.)		Cat. No. Chrome
(in.)	(mm)	(in.)	(mm)		(lbs.)	(kg)	
12	305	10 ³ / ₄	273	1 Shelf	2 ¹ / ₂	1.1	12WB1C
12	305	20 ¹³ / ₁₆	528	1 to 3 Shelves	5	2.3	12WB3C
12	305	30 ¹³ / ₁₆	782	1 to 5 Shelves	7 ¹ / ₄	3.2	12WB5C
18	457	11 ³ / ₄	298	1 Shelf	3	1.4	18WB1C
18	457	21 ⁵ / ₈	548	1 to 3 Shelves	6	2.7	18WB3C
18	457	31 ⁵ / ₈	807	1 to 5 Shelves	8 ¹ / ₂	3.8	18WB5C

For additional mounting brackets (single) order Cat. No. 9975C

Double mounting brackets are also available for use where continuous wall shelving is to be installed. Cat. No. 9976C

Load Rating: 200 lbs. (91kg) per shelf, not to exceed 200 lbs. (91kg) per unit.

Units must be secured to sufficient wall support structure.

Erecta Shelf® Wall Kit — {10.56}

Kit includes two shelves, shelf supports, and mounting brackets. Wall bolts and screws not included; they must be selected according to type of wall. Chrome.

Shelf Length	Overall Length	Shelf Width	Overall Width	Overall Height	Approx. Pkd. Wt.	Cat. No.	
(in.)	(mm)	(in.)	(mm)	(in.)	(lbs.) (kg)		
24	610	26 ¹ / ₄	673	12 305	13 330	21 530 18 ¹ / ₂ 8.3	12WS12C
36	914	38 ¹ / ₄	971	12 305	13 330	21 530 25 ¹ / ₄ 11.3	12WS32C
48	1219	50 ¹ / ₄	1283	12 305	13 330	21 530 32 14.4	12WS52C

Kit packaged in one box and UPS shippable.

Load Rating: 200 lbs. (91kg) per shelf, not to exceed 200 lbs. (91kg) per unit.

Units must be secured to sufficient wall support structure.